



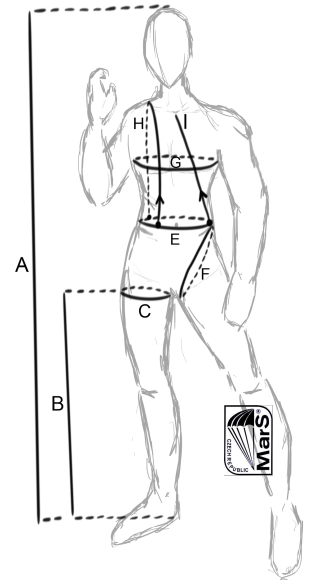
# ORDER FORM - MACC 2022.1

Mark the selected field with an X

DEALER	
Customer	
Phone	
Email	
Country	
male	female

### BODY PROPORTIONS (cm. kg):

Height (A)	
Weight	
Chest (G)	
Waist (E)	
Thigh (C)	
Thigh circumference diagonally (F)	
Top of the hip bone up to pelvis (H)	
Top of hip bone to hole of neck (I)	
Dimension from ground to crotch (B)	



## A) CONFIGURATION H/C:

Container size	
----------------	--

### Main canopy (size, type):

Produce	
---------	--

--

### Reserve canopy (size, type):

Produce	
---------	--

--

In standard with stainless steel hardware, cut-away ripcord handle, reserve ripcord handle (Free Fly Handle), closing riser flaps with magnets, AAD setup (Control unit in the back padding), reserve pilot chute, free bag, main/reserve steering toggles, connecting line, main risers, main deployment bag, kill line pilot chute, metal hook knife

Harness PS-055 with rings - by chest and haunches.

The stainless steel hardware contains: the hardware of the complete harness incl. brake rings, parts at the risters to the main parachute- 3 Rings Release System "MINI RINGS" (diam. 33 mm).

### 1. CONTAINER READY FOR:

Each AAD display is in to back pad.

M2	VIGIL
CYPRES	

### 2. RESERVE HANDLE (soft handle) U-064:

602 – Yellow	608 – Dark Blue
603 – Red	609 – Green
604 – Light Blue	610 – White
606 – Black	611 – Light Grey
607 – Dark Grey	620 – Orange

Metal handle	
--------------	--

### 3. 3 RING RELEASE SYSTEM (soft handle) U-079:

602 – Yellow	608 – Dark Blue
603 – Red	609 – Green
604 – Light Blue	610 – White
606 – Black	611 – Light Grey
607 – Dark Grey	620 – Orange

### 4. MAIN PILOT CHUTE (hold – plastic tube):

PV – 026 (Ø 900 mm)	
PV – 033 (Ø 800 mm)	

Color of pilot chute	
----------------------	--

### 5. MAIN PARACHUTE RISERS:

VK-33/350/K-D (350 mm)	
VK-33/400/K-D (400 mm)	
VK-33/500/K-D (500 mm)	

Color of main risers	
----------------------	--

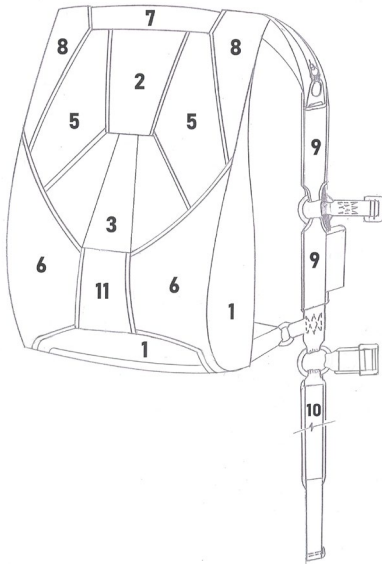
RSL (AOZP)	
------------	--

### 6. BAG (+ 109 EUR):

YES	
NO	

**B) COLOR OF CONTAINER:**

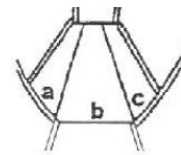
**Please note: The colour shade CORDURA is may not always match the color shades of the straps and trims.**



4 – Back Pad, 10 – Leg Pads

**COLORS CENTER FLAP STRIPES (NO. 3)**

a)	
b)	
c)	



**1. COLORS:**

1.	
2.	
3.	<b>to see table / point number 3</b>
4.	
5.	
6.	
7.	
8.	
9.	
10.	
11.	

**2. FABRIC COLORS OF CONTAINER:**

602 – Yellow	608 – Dark Blue
603 – Red	609 – Green
604 – Light Blue	610 – White
606 – Black	611 – Light Grey
607 – Dark Grey	620 – Orange

**3. COLORS OF TRIM:**

10 – White	36 – Dark Blue
20 – Orange	37 – Light Blue
31 – Light Yellow	39 – Green
32 – Dark Yellow	40 – Green (khaki)
33 – Red	41 – Grey
34 – Violet	43 – Black

**4. COLOR OF HARNESS:**

346 – Yellow	369 – Grey
344 – Red	370 – Black
342 – Light Blue	341 – Dark Blue

**5. LEG PADS COVER:**

YES		NO	
-----	--	----	--

Left leg pad (color)	
Right leg pad (color)	

**Visit our instagram for inspiration on the color combination of the container MACC**

**Use our COLORING program to create your own color combination of the container MACC**

**C) EMBROIDERY:**

Embroidery MACC



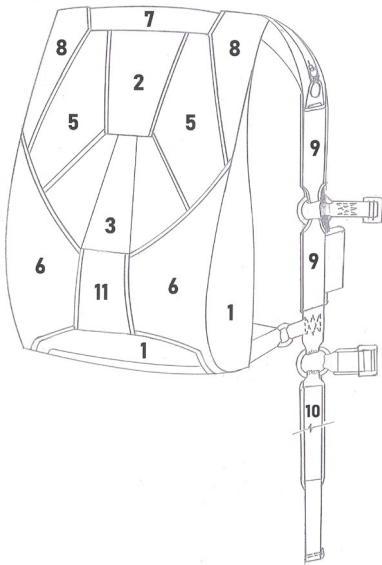
Embroidery m2



Embroidery MarS



Embroidery MarS



**1. Right side of the container – position no. 1**

It is always with embroidery "MACC" embroidery "MACC" is by default done in gray.

<input type="checkbox"/>	Embroidery "MACC" color	
--------------------------	-------------------------	--

**2. Left side of the container – position no. 1**

<input type="checkbox"/>	Embroidery "MACC", color	
--------------------------	--------------------------	--

<input type="checkbox"/>	Embroidery MarS, color	
--------------------------	------------------------	--

<input type="checkbox"/>	Embroidery m2, color	
--------------------------	----------------------	--

<input type="checkbox"/>	Personal embroidery – extra cost	
--------------------------	----------------------------------	--

<input type="checkbox"/>	Without embroidery	
--------------------------	--------------------	--

**3. Embroidery places according to the container picture – position no. 9 right**

<input type="checkbox"/>	Personal embroidery – extra cost	
--------------------------	----------------------------------	--

<input type="checkbox"/>	Without embroidery	
--------------------------	--------------------	--

**4. Embroidery places according to the container picture – position no. 9 left**

<input type="checkbox"/>	Embroidery MarS, color	
--------------------------	------------------------	--

<input type="checkbox"/>	Personal embroidery – extra cost	
--------------------------	----------------------------------	--

<input type="checkbox"/>	Without embroidery	
--------------------------	--------------------	--

**5. 3 RING RELEASE SYSTEM - HANDLE „U-079“**

<input type="checkbox"/>	Embroidery MarS, color	
--------------------------	------------------------	--

<input type="checkbox"/>	Personal embroidery – extra cost	
--------------------------	----------------------------------	--

<input type="checkbox"/>	Without embroidery	
--------------------------	--------------------	--

**6. RESERVE HANDLE „U-064“**

<input type="checkbox"/>	Embroidery MarS, color	
--------------------------	------------------------	--

<input type="checkbox"/>	Personal embroidery – extra cost	
--------------------------	----------------------------------	--

<input type="checkbox"/>	Without embroidery	
--------------------------	--------------------	--

**Note for your personal embroidery:**

<input type="checkbox"/>	Please specify color (Text and Thread)	
--------------------------	--	--

**D) SPECIAL REQUEST:**